

FR 150 (Radon)

Inline Radon Fan

- UV resistant, UL Listed durable plastic
- UL Listed for outdoor use
- Automatic reset thermal overload protection
- Vibration welded seam ensures leak proof housing

Application

FR 150 fan is an excellent choice for systems with elevated radon levels, poor communication, multiple suction points and large subslab footprint.

Design

The FR 150 has been factory tuned for quieter operation and features a fully sealed plastic housing. The housing is joined via a vibration welding process. This fused seam is inherently air tight, very strong and permanent. No screws or adhesive is used to join the housing pieces. An air-tight fan ensures that efficiency is not lost and contaminants are not spilled due to leakage.

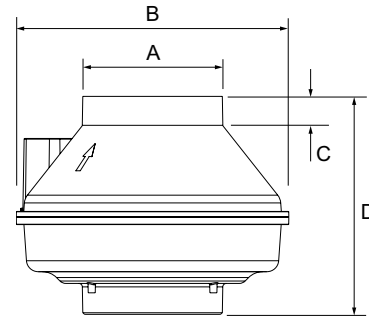
The fan can be mounted both indoor, outdoor and in wet locations. These fans feature external rotor motors that have proven dependable year after year.

A large electrical wiring enclosure is designed into the fan housing, making electrical installation easier. Thermal overload protected with automatic reset.

LDVI™ Ready

Fantech's LDVI™ (Low Durometer Vibration Isolators) couplings are designed specifically for radon mitigation applications. Our patent pending LDVI couplings are molded with a more flexible, low durometer material as compared to standard plumbing couplings, making installation easier and provide superior vibration isolation. Available in sizes 6x3 and 6x4.

Certifications



Model	A	B	C	D
FR 150 (Radon)	5 7/8	11 1/2	1 1/4	9 1/4

Dimensional information is in inches.

Model	Duct size	Rated power	Voltage / phase	Max. amps	0.5" P _s	1.0" P _s	1.25" P _s	1.5" P _s	Max P _s	Shipping weight	Item #
	inch	W	V / ~	A					in.wg	lbs	
FR 150 (Radon)	6	68	120 / 1	0.59	220	123	77	35	1.7	6	45045

The performance shown in this brochure is representative of the actual test results recorded at Texas Engineering Experiment Station/Energy Systems Lab, a recognized testing authority for HVI. Testing was done in accordance with HVI 916 Test Procedures. Dimensions are shown in inches.



Order Now:
719-444-0646 (p)
orders@radonpds.com
www.radonpds.com



fantech®
a systemair company